

Manufacturing for Manufacturers



Helios (NJZ-FLI Series) High Temperature Lighting 80°C LED High Bay



2020-02-10 V1.0 EN

Helios

High Temperature Lighting--80C LED High Bay

NJZ-FLI Series



Product description

The Helios NJZ-FLI Series LED Luminaire combines optical performance, energy efficiency, and outstanding versatility to meet the requirements of high temperature lighting applications in high-temperature, dust, corrosive gas environment, delivers a wide range of light outputs that replace 200W-400W HID fixtures. NJZ-FLI Series offers higher efficacy for increased energy savings, lower maintenance costs and shorter paybacks.

Features

- Innovative design with excellent heat dissipation performance
- Heat-sinking technology ensures long lifespan and low light decline
- IP67 protection for wet locations
- Imported tempered glass lens, non-yellowing and non-cracking for long term application
- Heavy Duty Anodized aluminum housing and corrosion resistant coating
- Valid over the entire temperature range from -40°C to +80°C(-40 °F to 176 °F)

Compliance

UL1598 / DLC* / FCC

Not all product variations listed on this page are DLC qualified.*
Visit www.designlights.org/search to confirm qualification.

CE / RoHS

IP67

IK08

5G

1000hrs salt spray

Application

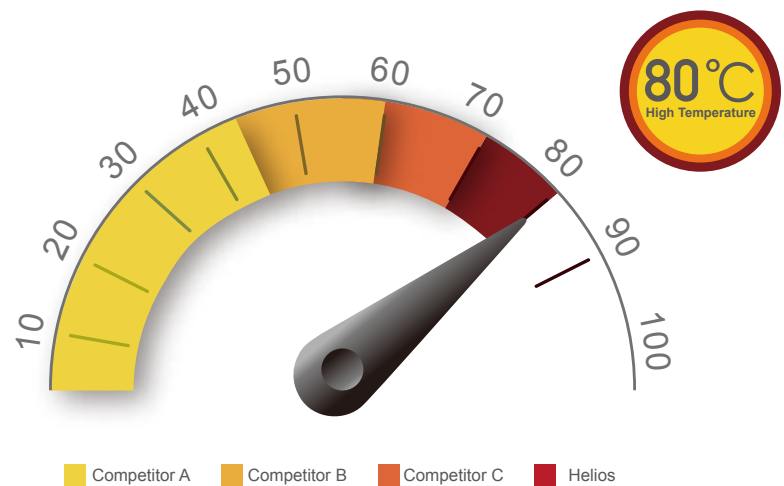
Steel plant
Aluminum smeltery
High-temperature, dust,
corrosive gas environment

Warranty

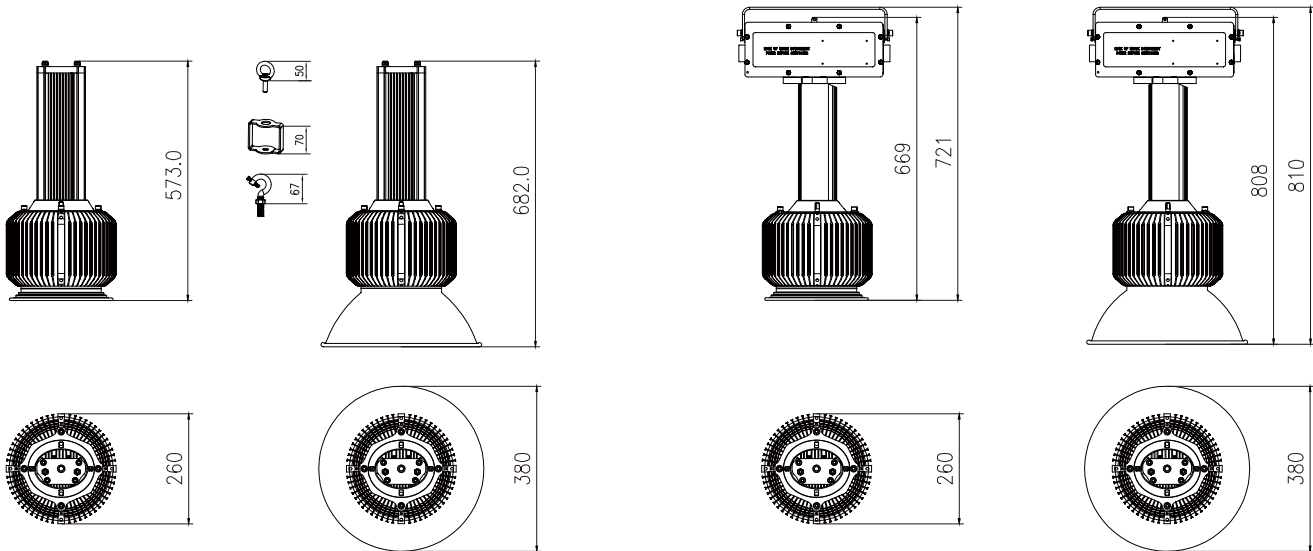
4-year Warranty (1 2Hrs / Day) or 30000hrs @ Ta=+65°C - +80°C

5-year Warranty (24Hrs / Day) @ Ta=-40°C - +65°C

LED lumen Maintenance: L70>75,000 Operation Hours @ 80°C



Product Dimensions



MODEL	Angle	Mounting	Net Weight	Gross Weight	Production Demision (DXH)	Package Demision (LXWXH)	Remark
NJZ-FLI-150S-V01	110°	Hanging Ring	10.8	12.3	φ260×623mm	653X309X315mm	1.The production demision includes the demision of installation accessories and lampshade . 2.The 60° reflector is packaged separately,and the weight of the reflector is not included in the net weight and gross weight information.
		Hanging Hook	10.8	12.3	φ260×640mm		
		Pendant (DN15)	10.8	12.3	φ260×643mm		
		Juction Box(NPT 3/4")	13.1	16.0	φ260×699mm	760X417X315mm	
		Juction Box+U Bracket(ceiling)	14.1	17.0	φ260×721mm		
	60°	Hanging Ring	10.8	12.3	φ380×732mm	653X309X315mm	
		Hanging Hook	10.8	12.3	φ380×749mm		
		Pendant (DN15)	10.8	12.3	φ380×752mm		
		Juction Box(NPT 3/4")	13.1	16.0	φ380×808mm	760X417X315mm	
		Juction Box+U Bracket(ceiling)	14.1	17.0	φ380×810mm		
NJZ-FLI-150S-V04	110°	Hanging Ring	10.6	12.1	φ260×623mm	653X309X315mm	
		Hanging Hook	10.6	12.1	φ260×640mm		
		Pendant (DN15)	10.8	12.3	φ260×643mm		
		Juction Box(NPT 3/4")	13.1	16.0	φ260×699mm	760X417X315mm	
		Juction Box+U Bracket(ceiling)	14.1	17.0	φ260×721mm		
	60°	Hanging Ring	10.6	12.1	φ380×732mm	653X309X315mm	
		Hanging Hook	10.6	12.1	φ380×749mm		
		Pendant (DN15)	10.8	12.3	φ380×752mm		
		Juction Box(NPT 3/4")	13.1	16.0	φ380×808mm	760X417X315mm	
		Juction Box+U Bracket(ceiling)	14.1	17.0	φ380×810mm		
60° Reflector	60°	-	0.312×5	2.9	φ380×138mm	395X395X203mm	5PCS/Carton

Technical Parameter

Electrical

Specification	FLI-150S-V01	FLI-150S-V04
Rated Power	150W	150W
Input Voltage	AC120-277V	AC347-480V
Input Frequency	50/60Hz	
Power Factor	>0.9	
Driver Efficiency	≥90%	
Dimmable	0/1~10V	

Optical

Specification	FLI-150S-V01	FLI-150S-V04
Lumen Output	22500Lm	22500Lm
Lumens Per Watt	150Lm/W	150Lm/W
Beam Angle	60° /110°	
Correlated Color Temperature (CCT)	4000K/5000K/5700K	
Color Rendering Index (CRI)	Ra≥70	

Environmental

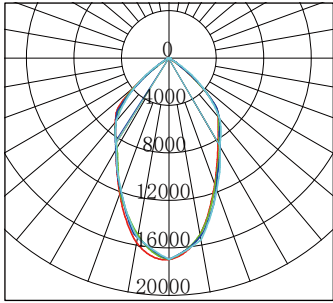
Specification	FLI-150S-V01	FLI-150S-V04
Ambient Operating Humidity	10% ~ 90% RH	
Ambient Operating Temperature	-40°C ~ +80°C	
Optimal Operating Temperature	25°C (77°F)	

Mechanical

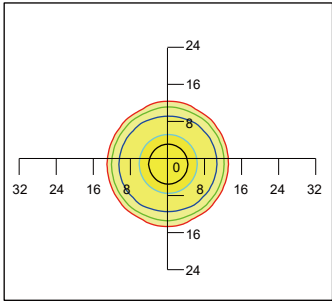
Specification	FLI-150S-V01	FLI-150S-V04
Housing Material	Aluminum	
Lens Material	Tempered glass	
Mounting Options	Pendant / Hanging Mount / Junction Box / Junction Box + U Bracket	

Photometric

60 Degree



- C0/180,61.1°
- C30/210,61.6°
- C60/240,62.7°
- C90/270,62.2°

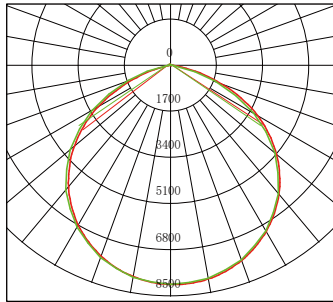


Mounting Height 33'(10m), 0 Tilt

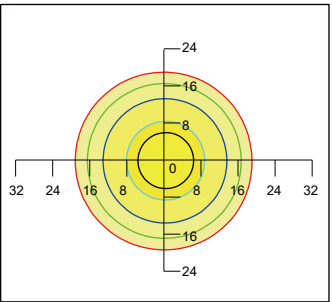
Illumination-60 Degree		
6m	7.1m	255.3Lux
8m	9.4m	143.7Lux
10m	11.8m	91.9Lux
12m	14.2m	63.8Lux
15m	17.7m	40.9Lux
Height	Diameter	Eavg

Flux out: 10424 lm

110 Degree



- V 0.0DEG PLAN,111.8
- H 0.0DEG PLAN,112.2



Mounting Height 33'(10m), 0 Tilt

Illumination-110 Degree		
6m	17.7m	85.8Lux
8m	23.6m	48.2Lux
10m	39.4m	30.9Lux
12m	35.3m	21.4Lux
15m	44.1m	13.7Lux
Height	Diameter	Eavg

Flux out: 21319 lm

Mounting



Hanging mount



Pendant (DN15)

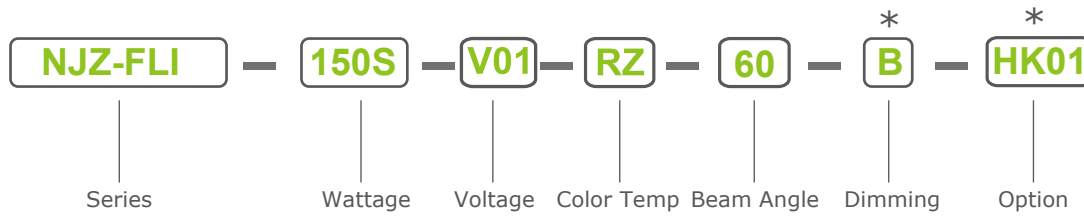


Junction Box NPT 3/4'



Junction Box NPT 3/4'
+ U Bracket(Ceiling)

Ordering Information



*: Suffix not within nomenclature as per Certification, for marketing purpose only

SERIES

FLI

WATTAGE

150S=150W

VOLTAGE

V01=AC120-277V
 V04=AC347-480V

COLOR TEMP

RL= 4000K
 RZ= 5000K
 RM= 5700K

BEAM ANGLE

60=60°
 110=110°

* **DIMMING**

B=0/1-10V (Standard)

* **OPTION**

HK01=Hanging Ring
 HK02=Mallable Hook
 HK03=Trunnion Bracket
 JB02=Junction Box NPT 3/4"
 Black Painted ADC12 Aluminum
 JB03=Junction Box + U Bracket
 LS01=60°beam angle Lampshade
 LS02=110°beam angle Lampshade

SP01=10kv Surge Protector 100~277V
 SP02=10kv Surge Protector 347~480V



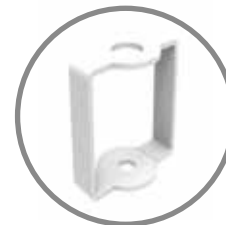
HK01

Hanging Mount-A
 Hanging Ring
 M12 eyebolt SUS316



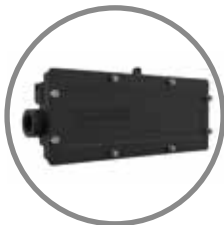
HK02

Hanging Mount-B
 Mallable Hook
 M12 SUS316



HK03

Pendant
 Trunnion Bracket
 RAL9010 SUS 304



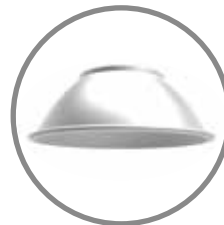
JB02

Junction Box NPT 3/4"
 Black Painted
 ADC12 Aluminum



JB03

Junction Box + U Bracket
 Black Painted
 ADC12 Aluminum



LS01

60°beam angle
 Lampshade



LS02

110°beam angle
 Lampshade